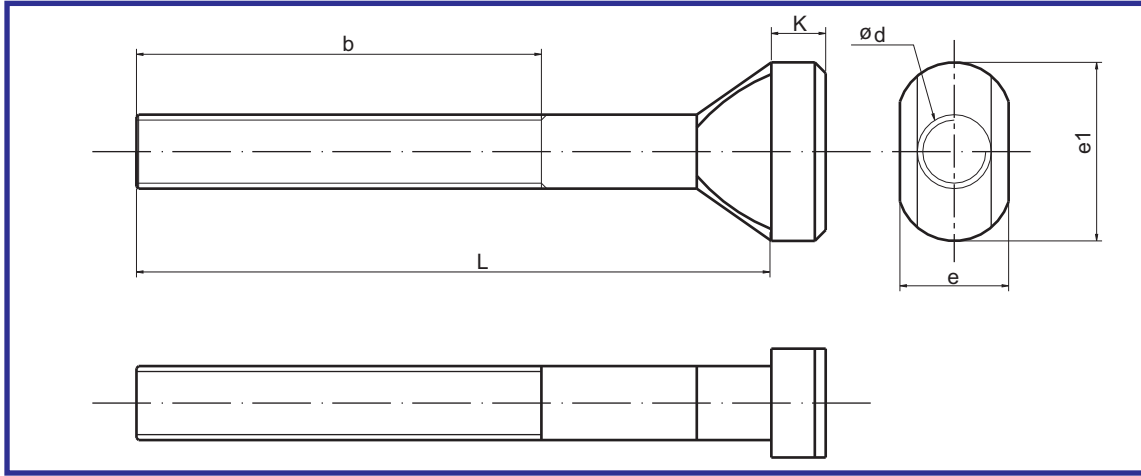


► T-Bolt



Material :- En8d

Hardness :- Core 28-30 HRC (Toughened)

Surface Treatment :- Blackodised

CODE	SIZE Ø d	WIDTH e	HEAD DIA. e1	COLLAR K	LENGTH L	THREAD LENGTH b
T-BOLT M 8X50					50	30
T-BOLT M 8X60	M8	13	26	6	60	35
T-BOLT M 8X80					80	40
T-BOLT M 8X100					100	60
T-BOLT M 10X50					50	30
T-BOLT M 10X60					60	35
T-BOLT M 10X80	M10	15	30	6	80	40
T-BOLT M 10X100					100	60
T-BOLT M 10X125					125	80
T-BOLT M 12X60					60	35
T-BOLT M 12X80					80	40
T-BOLT M 12X100	M12	18	24	7	100	60
T-BOLT M 12X125					125	80
T-BOLT M 12X160					160	100
T-BOLT M-16X100					100	60
T-BOLT M-16X125	M16	25	32	9	125	80
T-BOLT M-16X160					160	100
T-BOLT M-16X200					200	125
T-BOLT M-16X250					250	155
T-BOLT M-16X300					300	190
T-BOLT M-20X100					100	65
T-BOLT M-20X125					125	80
T-BOLT M-20X160	M20	32	40	12	160	100
T-BOLT M-20X200					200	125
T-BOLT M-20X250					250	155
T-BOLT M-20X300					300	190
T-BOLT M-24X100					100	65
T-BOLT M-24X125					125	80
T-BOLT M-24X160	M24	40	48	16	160	100
T-BOLT M-24X200					200	125
T-BOLT M-24X250					250	155
T-BOLT M-24X300					300	190

Order Type :- Code

Example :- T-Bolt M-20X250